

**Junkkari**  
Part of the MSK Group



# CHIPPERS

From environmental care to contracting

# Speaking from experience

Junkkari produces disc chippers. Our company has thirty years of experience in manufacturing them and has produced a total of 10,000 chippers.

The principle of the disc chipper is to move the wood towards the cutting disc, which cuts the chips one at a time. The wood is fed into the chipper without a feeding device or by means of hydraulic feeding rollers. The roller speed is continuous and easy to adjust.

The chips end up on the blow wings on the outer perimeter of the discs. The chips are crushed, and the wings will blow the woodchips to the desired location through the discharge chute. Simple and functional!

The wooden material is planned for use as an energy source in the future and it will be increasingly popular, because it is becoming more and more competitive on the fluctuating world markets. See what pays and count a resistant and efficient Junkkari chipper in!



↑ The chip size of Junkkari chippers can be adjusted to your needs. The chips are of uniform quality, which makes them safe to use in demanding locations.



↓ HJ-4 G model is a chipper with a hydraulic feeding device. It has one feed roller powered by the tractor's hydraulics.



↑ The HJ-4 M model is a mechanical chipper with no separate feeding device. It is particularly well-suited for chipping branchless trees and trees with only a few branches.

↓ The three blades of the disc can be adjusted continuously to the desired woodchip size. The blow wings will finalise the woodchips and blow the chips effectively to the desired location through an adjustable discharge chute.

## Junkkari HJ-4

Junkkari's classic, smallest HJ-4 chipper has kept the original look while other range has changed. HJ4 is ideal for environmental chipping and landscaping. It is a non-direct feeding chipper. The blades draw the wood in themselves, and it requires less power. The HJ-4 chipper comes in two versions, the M and the G models. The HJ-4 chipper can be used to chip wood with a diameter of up to 9 cm





The new modern design of tractor mounted HJ-170 chipper includes separate frame and several user friendly details. Chipper is available as M-model with no separate feeding device and also as G-model which is seen in the picture. The safety of user is secured also in the M-model with a patented feed stopper operated with the control handle.

## Junkkari HJ-170

The new Junkkari HJ-170 chipper is suitable for chipping trees less than 17 cm in diameter. As the smaller model, this chipper also has a feeding angle of 45 degrees to the disc. The HJ-170 chipper comes in three versions, the M, the G and the Mob models. Two first ones are normal tractor mounted machines but Mob-version has own chassis and it can be moved easily from place to place by car for example. The chipper itself is the same as in G-version but it is powered by a 35hp diesel and own hydraulic unit.



↑ In the picture you can see a hydraulic feeding device of HJ-170 G. It has one feed roller powered by the tractor's hydraulics. The handle is used to control the rotation of the feed roller.



HJ-170 MOB



↑ The HJ-170 chipper has four blades that can be adjusted continuously depending on the desired woodchip size. The blow wings will finalise the woodchips and blow the chips effectively to the desired location through an adjustable discharge chute.



↑ The HJ-250 G model is a chipper with a hydraulic feeding device. Its two feed rollers are powered by the tractor's hydraulics. The HJ-250 GT model is almost identical to it: the only difference is that its feeding device has an independent hydraulic tank and pump. This means that no additional hydraulics is needed.

Third available version HJ-250 M is mechanical chipper without separate feeding device. For safety reasons all M-model chippers are equipped with a patented feed stopper operated with the control handle.

→ The HJ-250 chipper can be fitted with optional loader feeding equipment that contains the following elements: a stronger infeed chute, a No-Stress rotation guard and an electronic feed and discharge chute control.



↑ The new discharge chute gives excellent airflow and easy adjustability.

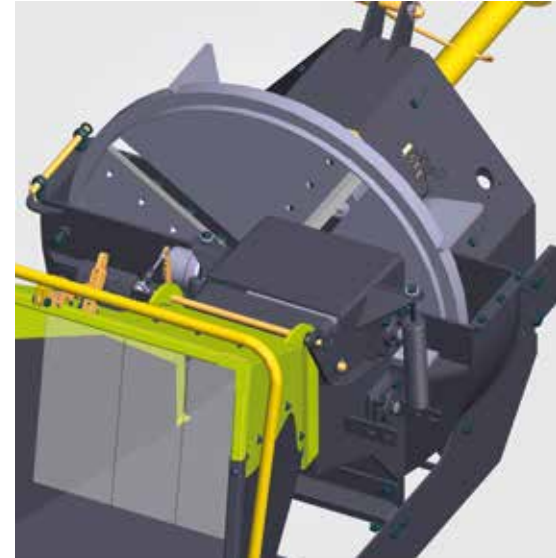
## Junkkkari HJ-250

The new Junkkkari HJ-250 chipper is ideal for chipping larger pieces of wood. This chipper is extremely popular abroad. Since it can be used for chipping wood up to 25 cm in diameter, it can be used to chip material for biofuels and wood used in parks and in energy sources.

HJ-250 is a non-direct feeding chipper. As the blades draw the wood in themselves, it requires less power. It comes in three versions: the M, G and GT models.



The HJ-261 equipped with a manual feed system.



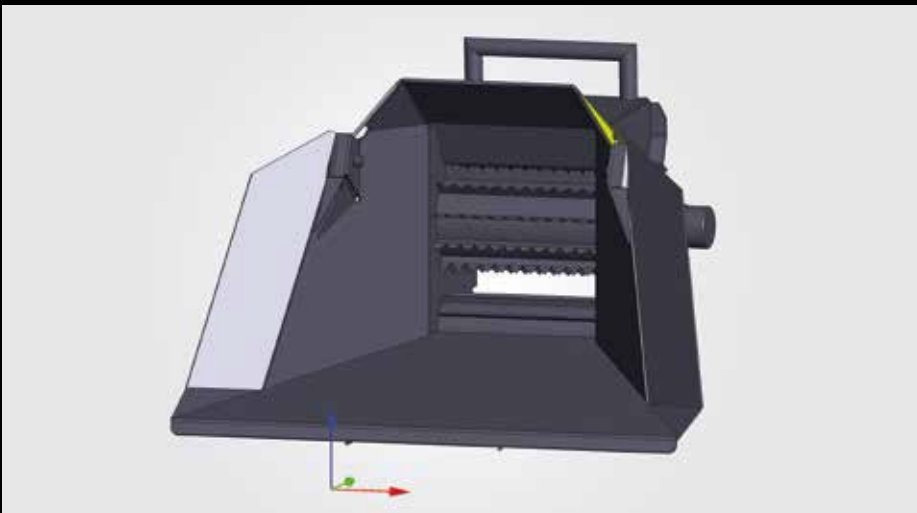
The discs of the HJ-250 and HJ-261 model come with four blades you can adjust continuously depending on the desired woodchip size. The blow wings will finalise the woodchips and blow the chips effectively to the desired location through an adjustable discharge chute.

## Junkkkari HJ-261

The HJ-261 is a new direct feed chipper for wood 26 cm in diameter. It is well-suited for producing biofuels and woodchips used as energy sources. The high-quality woodchips produced with direct feed chippers is particularly well-suited for use even in smaller stoker boilers, since the chipper cuts the wood to the cross fibre. The feed opening is at a 90 degree angle to the blade disk.

The biggest difference to former HJ-260 model is even better chip quality due to the optimized infeed opening position. The disc diameter has increased to 98 cm and length of the knives to 35 cm.

The HJ-261 chipper comes in two versions, the G and the GT models. The G model has a feeding device with two rollers, powered by the tractor's hydraulic system, while the GT model has a system with a hydraulic tank and pump of its own. Like HJ-250, also the HJ-261 chipper can be fitted with optional loader feeding equipment that contains the following elements: a stronger infeed chute, a No-Stress rotation guard and an electronic feed and discharge chute control.



↑ HJ-500-chipper can be combined with Junkkari cranes.

← HJ-500 infeed chute.



← The HJ-500 model with modernized feed conveyor. The length of the conveyor is 150 cm, and it is now better suited for felling leftovers.

# Junkkari HJ-500

The HJ-500 is a powerful trailed chipper that can be used to chip wood up to 45 cm in diameter.

The chipper is ideal for contracting work and can compete with any drum chipper in its size range. The significant advantage of the HJ-500 is its low energy consumption and its high productivity, as well as its extremely competitive price.

The feed opening of the HJ-500 model is set at a 45-degree angle at the front of the chipper. The tractor's cab allows an excellent view of the feed opening. The chipping material is easy to control, and it can be chipped smoothly and effectively.

The HJ-500 chipper can produce up to 100m<sup>3</sup> of woodchips per hour. The woodchips are of uniform quality, and the chip size can be adjusted continuously depending on your needs.



↑ All of Junkkari's chippers that provide loader feeding come with a new Wizard C+ control unit as standard. This unit is used to control the direction of the discharge chute, the feed rollers and the No-Stress rotation guard. The feed rollers can also be controlled with foot pedals.

→ In addition to the new looks, the latest changes in HJ-500 are for example new hydraulics and discharge chute turning.



# CHIPPERS

MODEL	HJ-4 M * G	HJ-170 M * G * Mob	HJ-250 M * G * GT	HJ-261 G * GT	HJ-500 C
Feed opening size (cm)	20 x 17	20 x 20	26 x 26	26 x 26	45 x 45
Blade disc diameter (cm)	43	74	94	98	138
Blade disc mass (kg)	45	106	172	240	650
Number of blades (pcs)	3	4	4	4	2 <sup>ⓐ</sup>
Revolutions (r/min)	540-1000	540-1000	540-1000	540-1000	540-1000
Blade setting (mm)	4-12	3-20	3-20	3-20	5-20
Max wood diameter (cm)	10	17	25	26	45
Chipping capacity (m <sup>3</sup> /h)	2-6	4-8	7-30	7-30	20-100
Power requirement <sup>ⓑ</sup> (kW/hp)	10-35 / 14-50	20-50 / 27-70 <sup>ⓐ</sup>	20-66 / 27-90	40-90 / 55-125	80-150 / 110-200
Weight (kg)	172 * 250	520 * 550 * 1120	530 * 650 * 690	870 * 920	2500
Length in working position (cm)	125 * 170	145 * 220 * 455	170 * 240 * 240	240	430-483
Length in transportation position (cm)	120 * 120	120 * 160 * 370	140 * 175 * 175	175	430-483
Width in working position (cm)	150 * 165	150 * 160 * 205	160 * 220 * 220	134	300
Width in transportation position (cm)	145 * 125	120 * 160 * 205	105 * 150 * 150	134	230
Height in transportation position (cm)	190	240 * 240 * 298	275	290	315
Hydr. feeding device / number of rollers	optional / 1	optional / 1 <sup>ⓐ</sup>	optional / 2	standard / 2	standard / 2
Hydr. feeding device with own hydraulics	-	optional <sup>ⓐ</sup>	optional	optional	standard
Chute extension	-	-	optional	optional 1 m	optional 0,5 m
Brush wood blades for the disc	optional	optional	optional	optional	optional
Brush wood blades for the chamber	-	-	-	-	optional
No -stress	optional/standard (mob)	optional	optional	optional	standard
Loader feeding equipment	-	-	optional	optional	standard
Upper chamber tilting cylinder	-	-	-	-	optional
Hydr. lifting of the upper feed roller	-	-	-	-	optional

How to consult the table: The asterisk \* on the line is used between different models (M \* G \* GT) to indicate their respective technical specifications.

- <sup>ⓑ</sup> The blade adjustment, sharpness, setting and the size and type of wood to be chipped have a significant effect to the machine's power requirement.
- <sup>ⓐ</sup> A blade consisting of two parts.
- <sup>ⓐ</sup> HJ-170 Mob- version has 35hp Kubota V1505 4-cyl. diesel with own hydraulics and one feeding roller. No-stress as a standard.



The brush wood blade for the disc is attached to the chipper blade. The brush wood blades are used to ensure that high-quality woodchips are produced when chipping small pieces of wood and surface boards.



Brush wood blades for the chamber. Brush wood blades for the chamber are used in addition to the brush wood blades of the disc to ensure that the woodchips are of uniform quality. For the HJ-500 chipper only.



No Stress control Wizard C. The rotational guard of the manual feed chipper also features other practical functions such as an hour counter and a maintenance alarm.



## A GOOD WAY TO WORK HARD

Junkkari has been known for its reliability for over six decades. Today, Junkkari Oy is one of Finland's largest agricultural and forestry machines in Finland. Our company is part of the MSK Group.

We have earned our clients' trust through solid product development and by responding immediately to client queries. Thanks to your success, we too have been able to prosper. We plan to keep up the good work in the decades to come.

**Junkkari**  
Part of the MSK Group

### Manufacturing

Junkkari Oy, FI- 62375 Ylihärmä  
Tel. 010 480 2200 Fax 010 480 2295  
junkkari@msk.fi  
www.junkkari.fi

### Sales