

Varaosaluettelo
Spare parts list
Reservedelslista
Reservedelsliste
Ersatzteilliste
Каталог запасных частей

17.6.2005



PALAX Power 100S

s:n 101-

Terästäkomo Oy
Lahdentie 9
61400 Ylistaro, FINLAND
Tel. +358 6 4745100
Fax. +358 6 4740790
www.palax.fi

FIN Tilausohje

Etsi kuva jossa haluatasi osa on.

Katso kuvasta osan numero.

Katso osaluettelosta kuvanumeron ja osanumeron avulla tilausnumero.

Tilauksessa mainittava aina tilausnumero, osan nimi, koneen sarjanumero ja valmistusvuosi.

GB Ordering guide

Seek the right picture.

See the part number.

Look, by using the picture- and partnumber for the right orderingnumber of the sparepart from the spareparts list.

When ordering always mention the sparepart number, partname, serialnumber and manufacturing year.

SWE Beställningsåd

Sök bilden där den önskade delen finns.

Se delnumret.

Sök med hjälp av bild- och delnummer reservdelnumret i reservdelförteckningen.

Vid beställning bör alltid uppges: reservdelnummer, delens benämning, serienummer och tillverkningsår.

NOR Bestillingsveiviser

Søk etter bildet der den ønskede delen er.

Se delnummeret.

Søk ved hjelp av bilde- og delnummeret etter reservedelsnummeret i reservedelsfortegnelsen.

Ved bestilling bør reservedelsnummer, delens navn, serienummer og produksjonsår alltid oppgis.

DE Bestellaungsanweisung

Das Bild mit dem gesuchten Teil finden.

Die richtige Teilnummer finden.

Der richtige Bestellungscode mit Hilfe der Bildnummer und Teilnummer finden.

Bei Bestellung sollen die Bestellungsnummer, die Beschreibung des Teils, die Seriennummer und das Baujahr angegeben werden.

RUS Инструкция по оформлению заказа

Найти рисунок, на котором показана желаемая деталь.

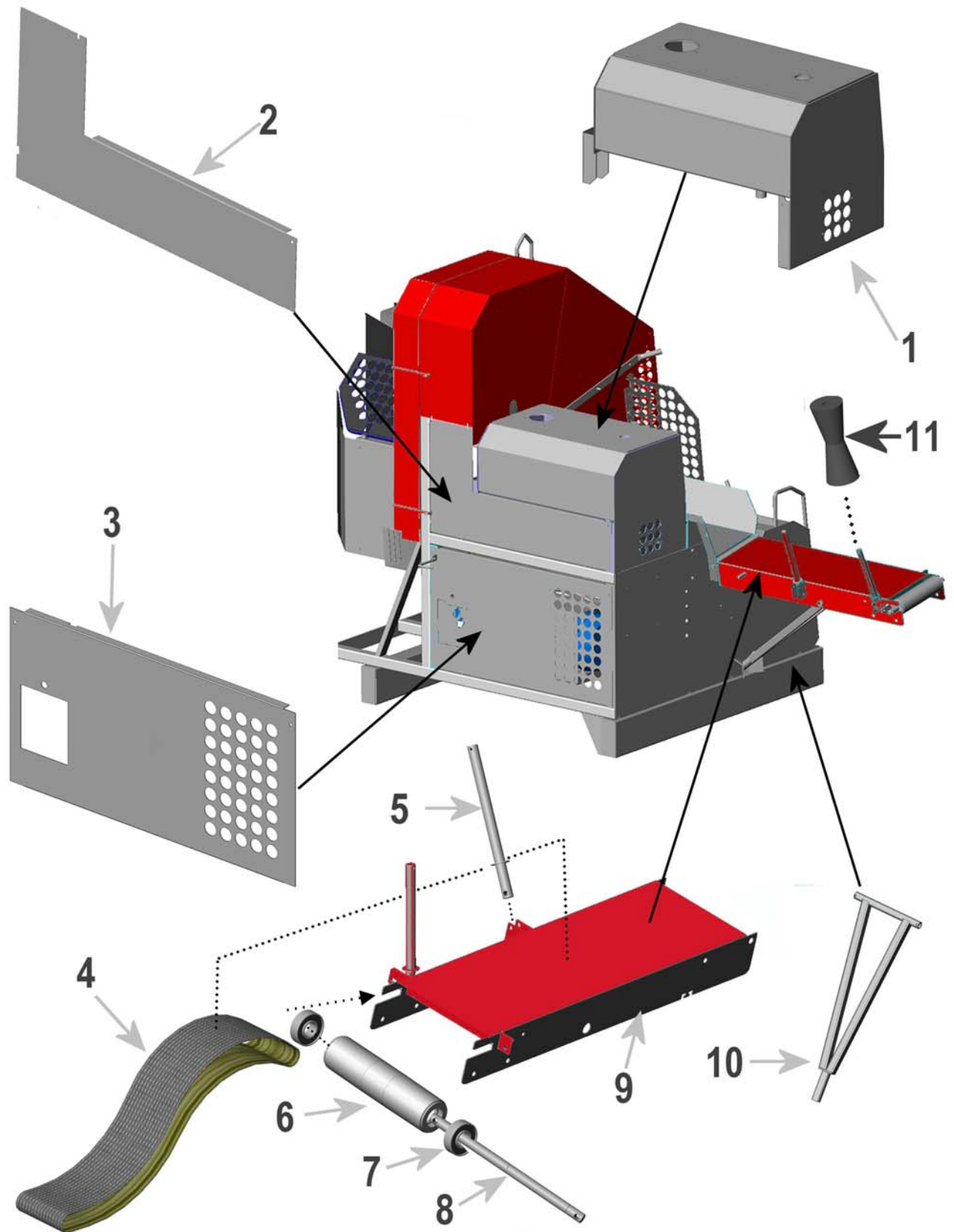
На рисунке найти номер детали.

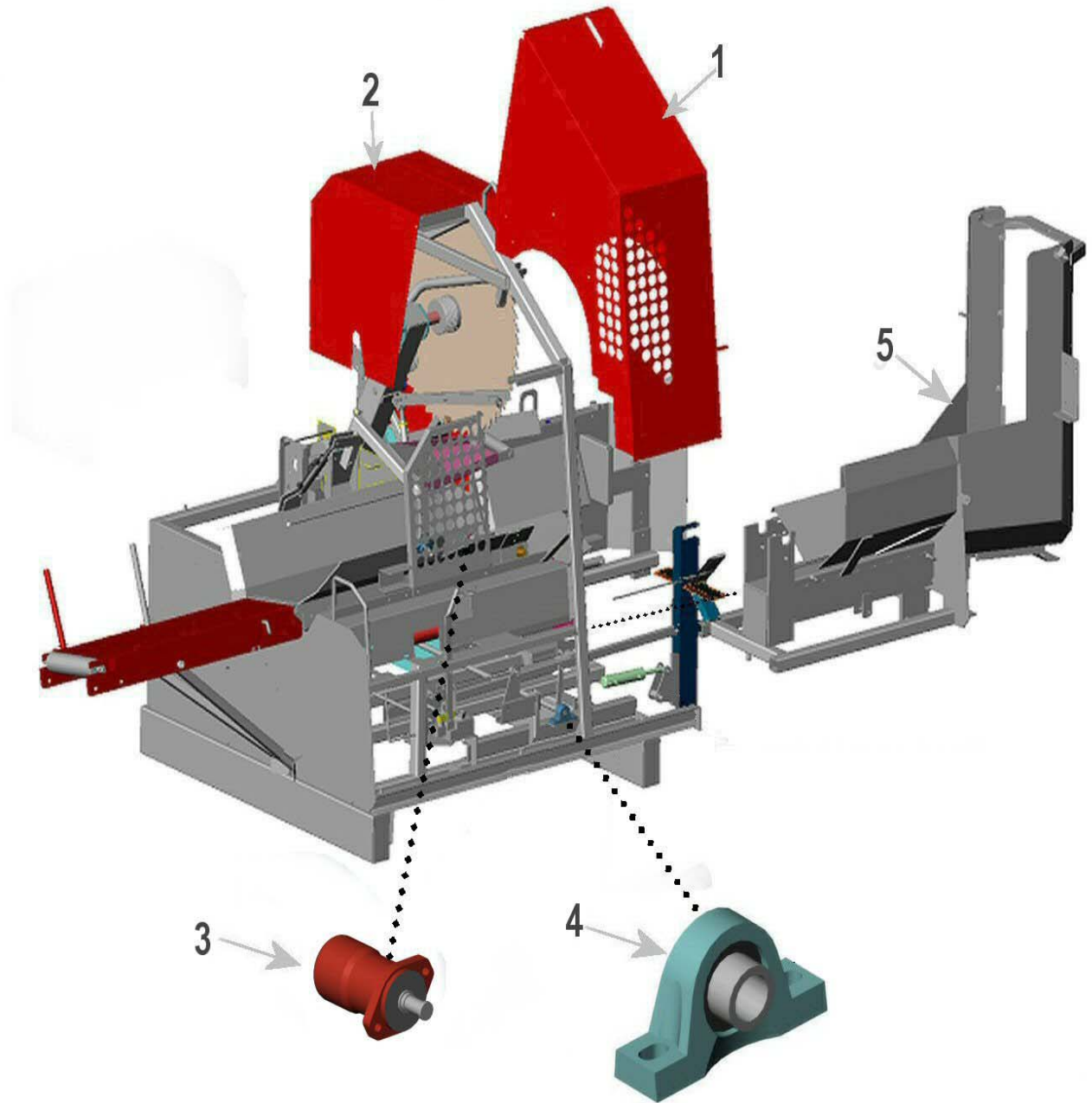
С помощью номера рисунка и номера детали найти в каталоге запчастей номер заказа.

В заказе указать всегда номер заказа, название детали, серийный номер и год выпуска машины.

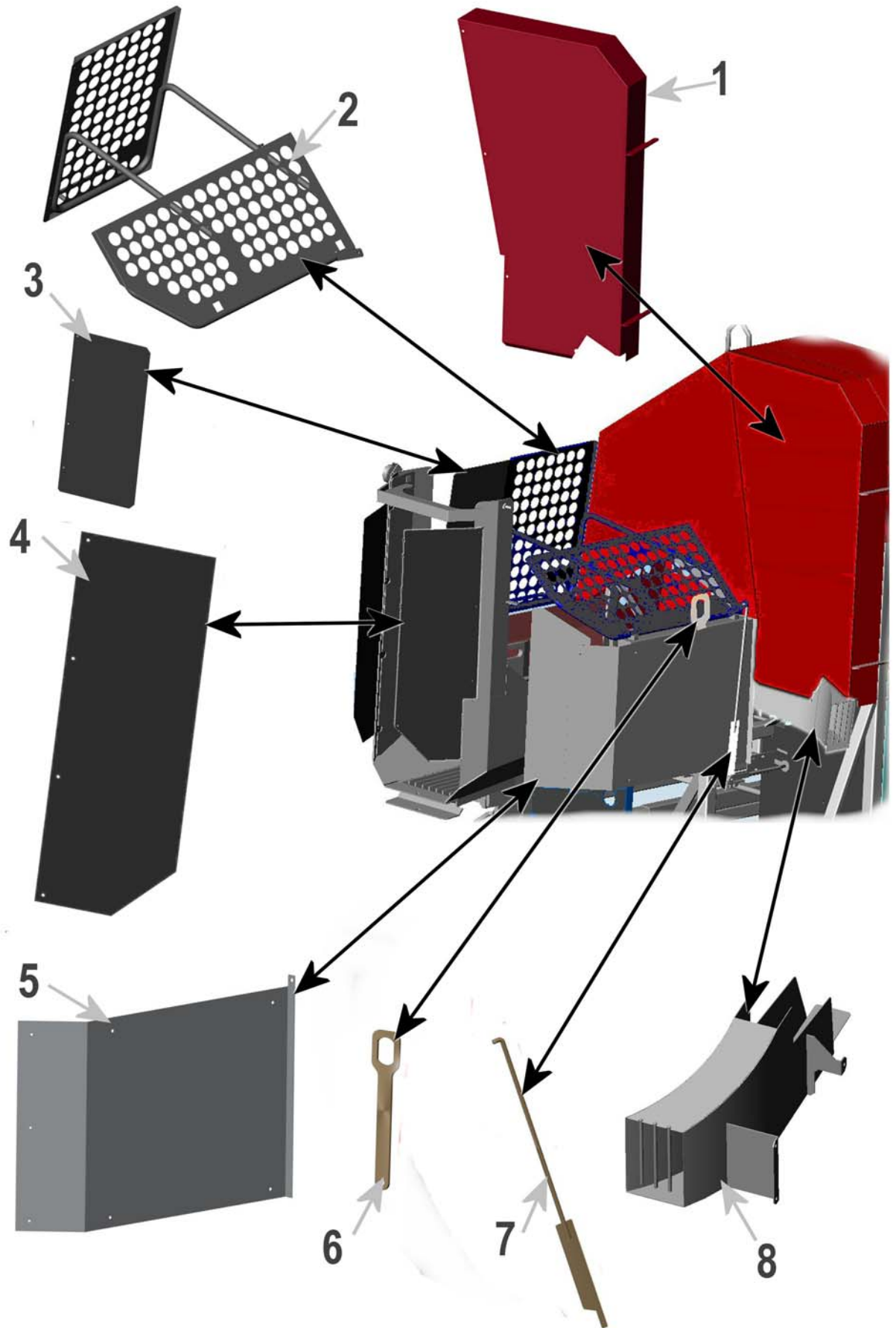


1

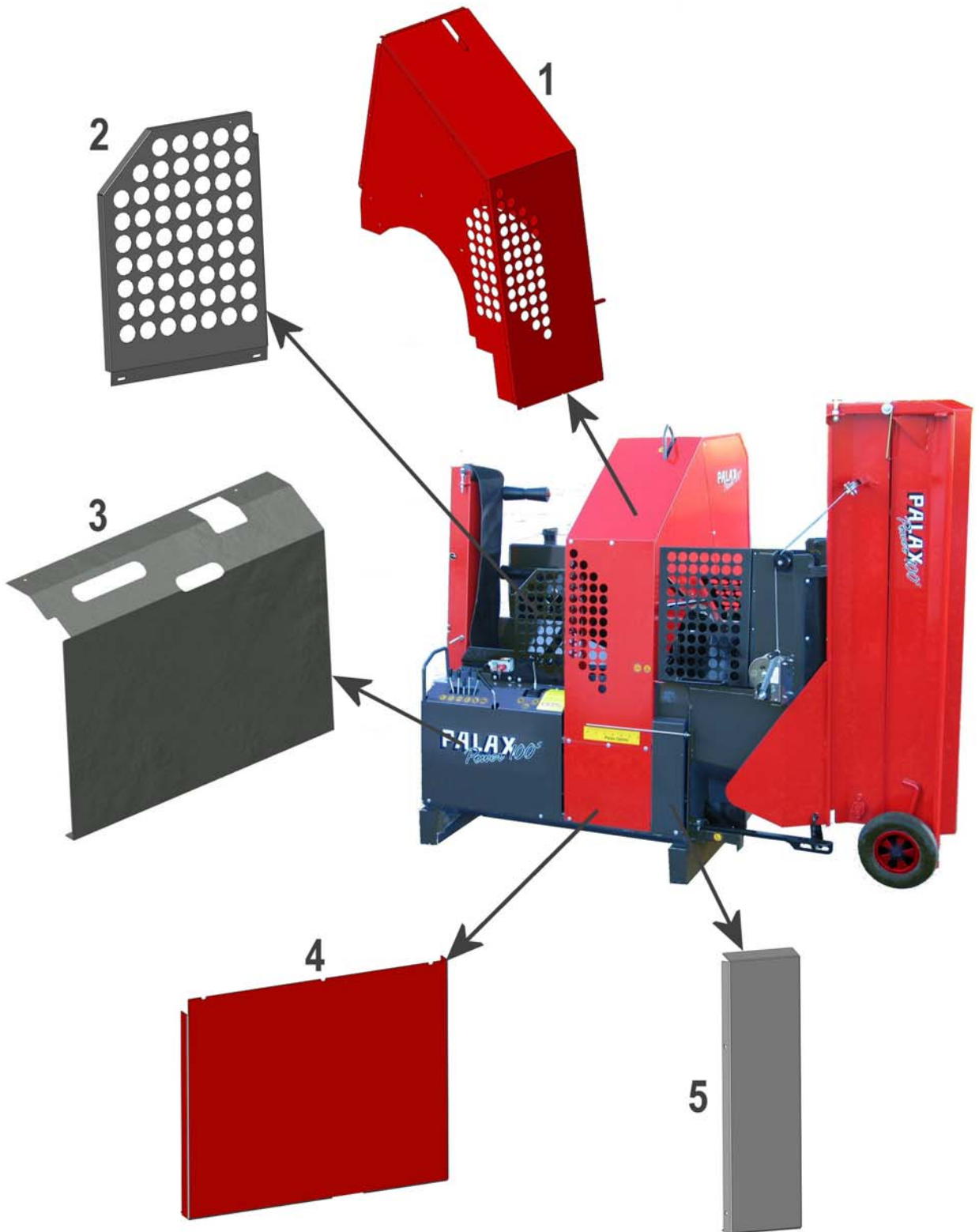




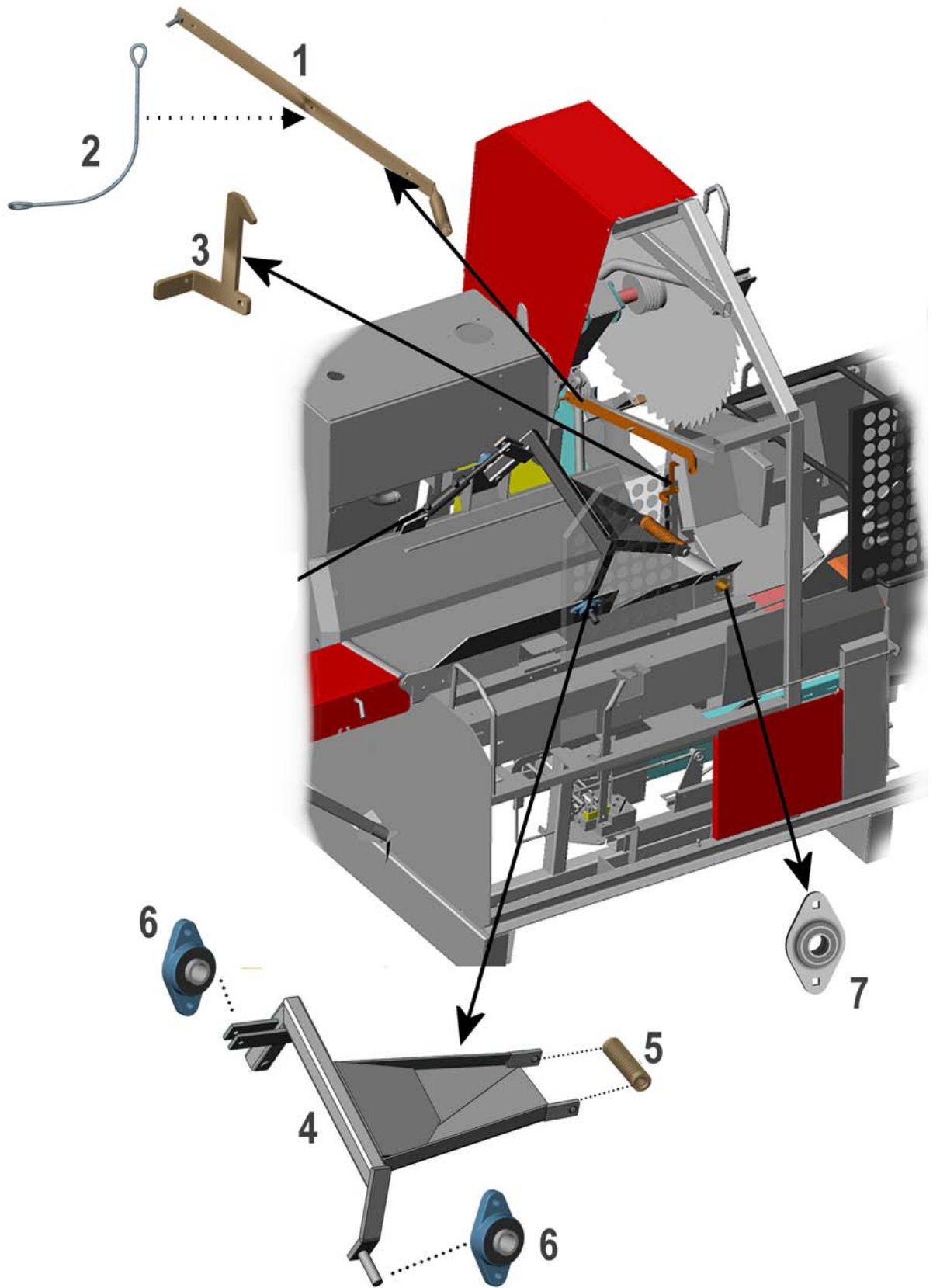
3



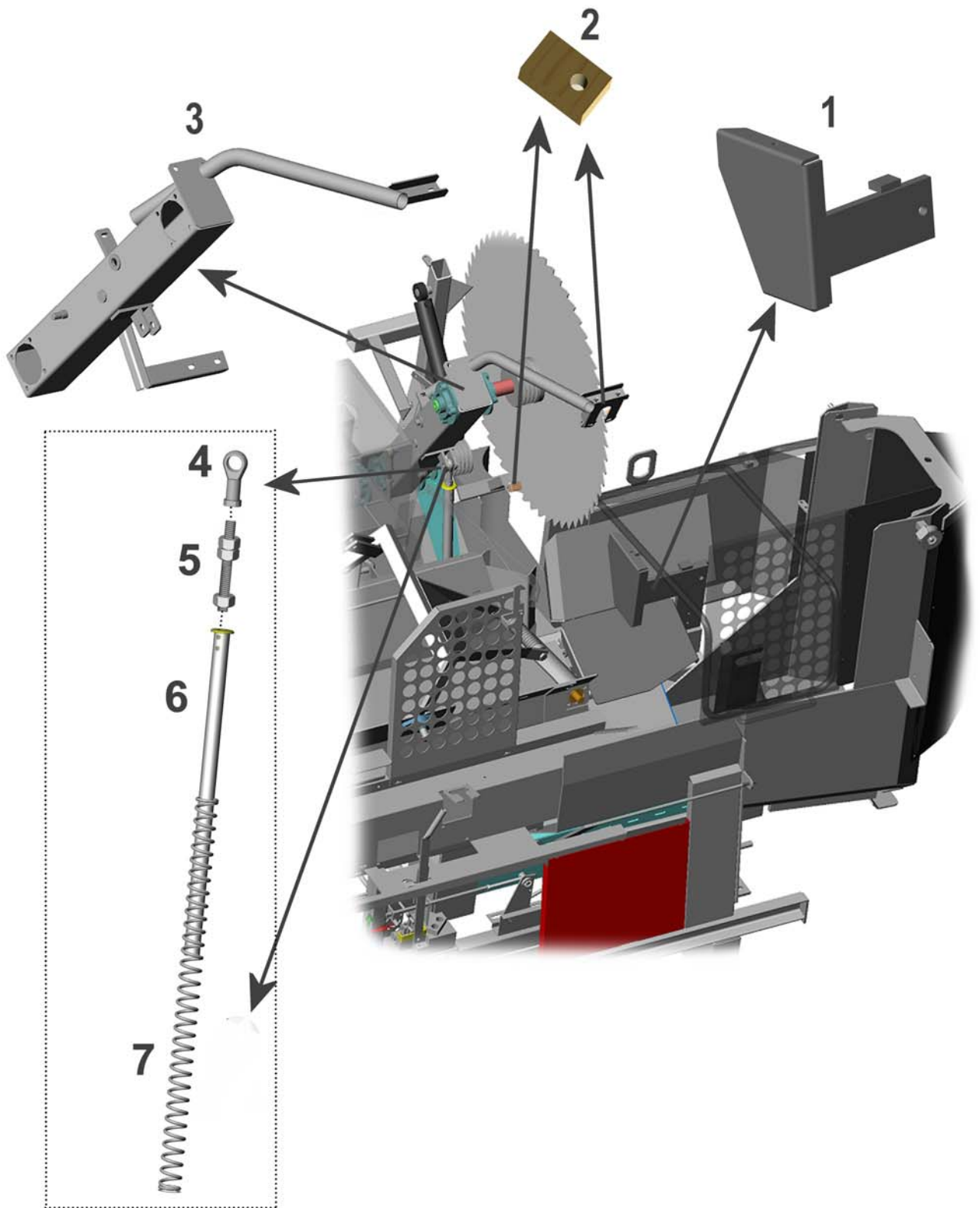
4



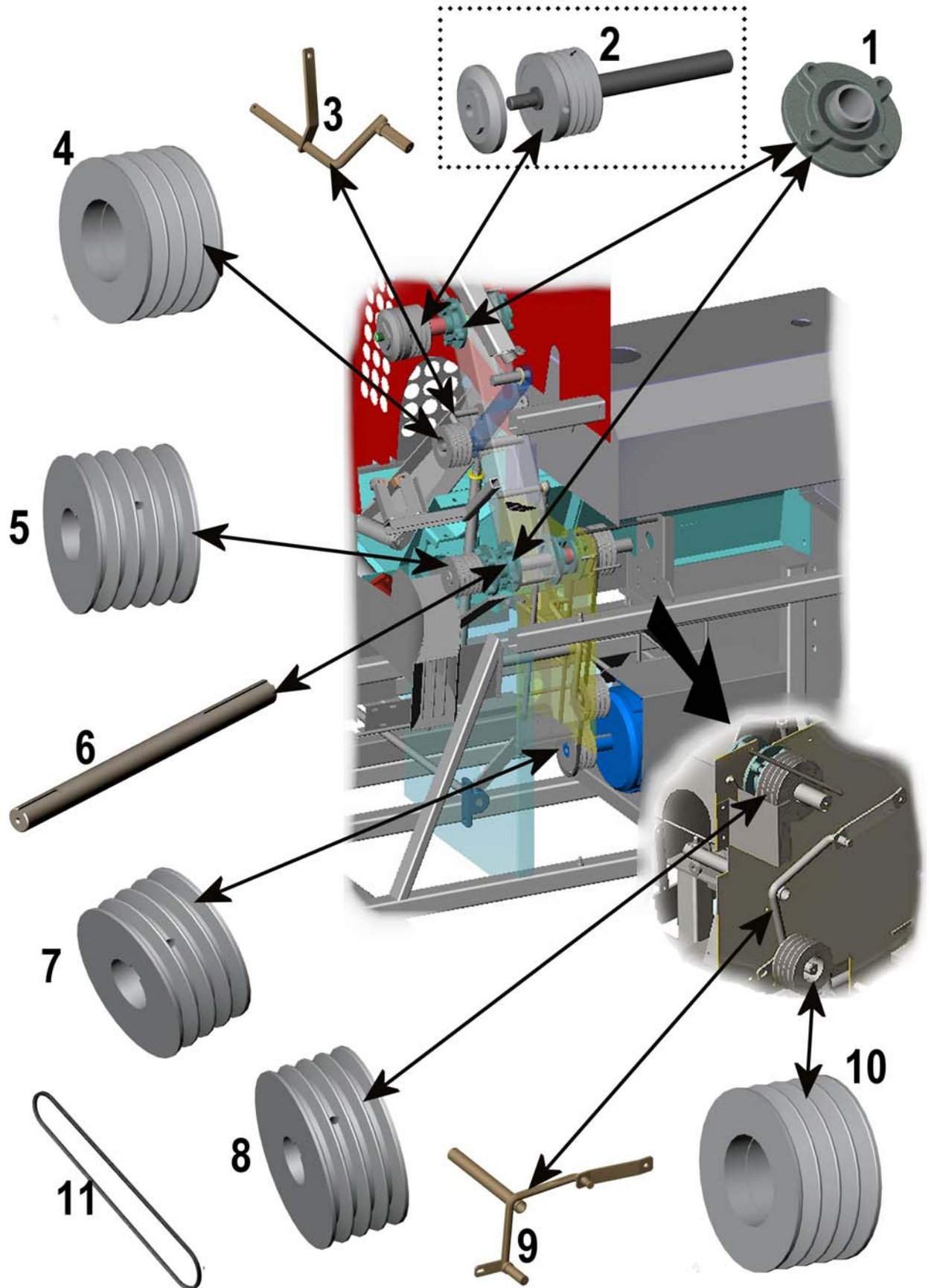
5

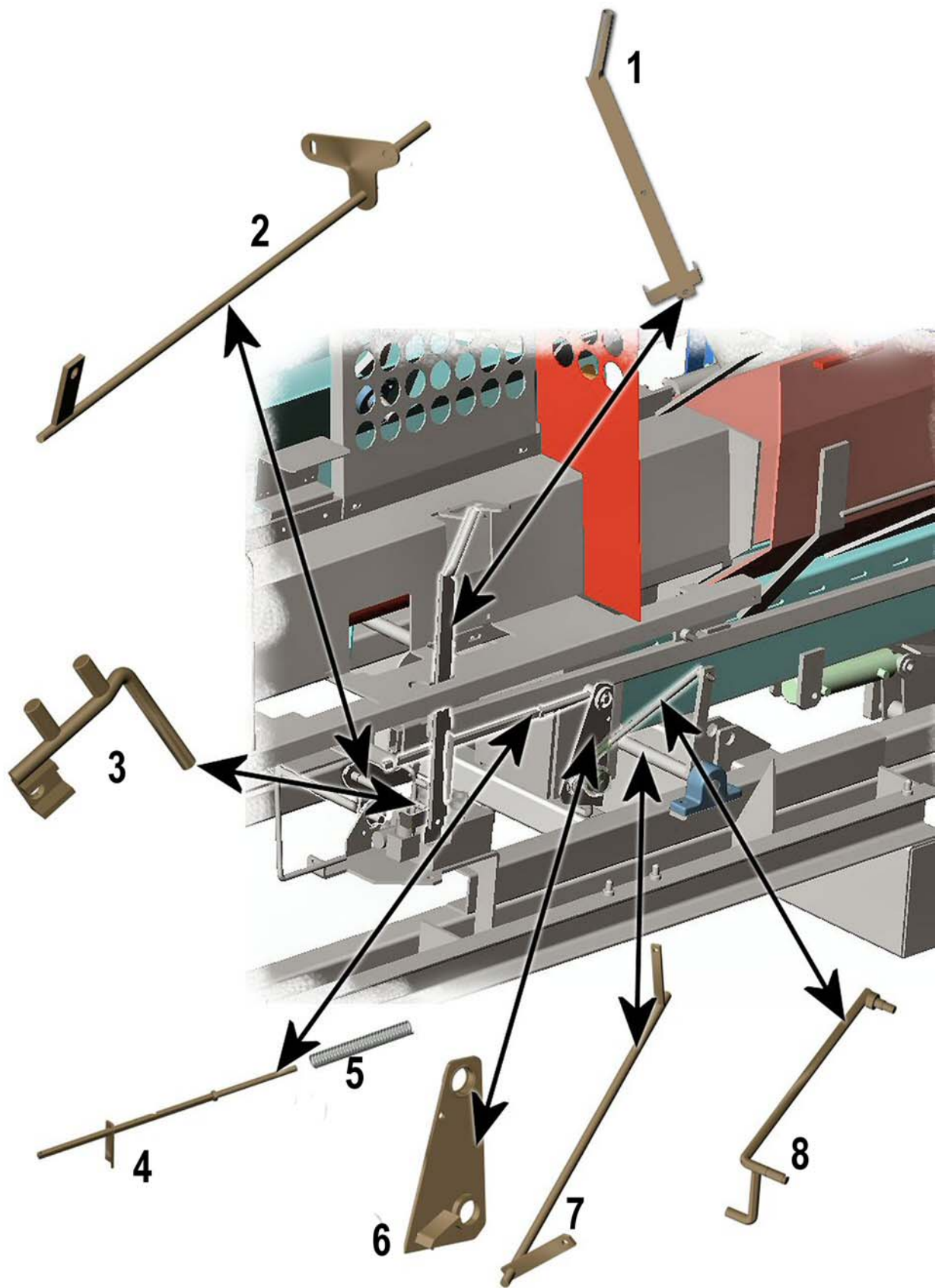


6

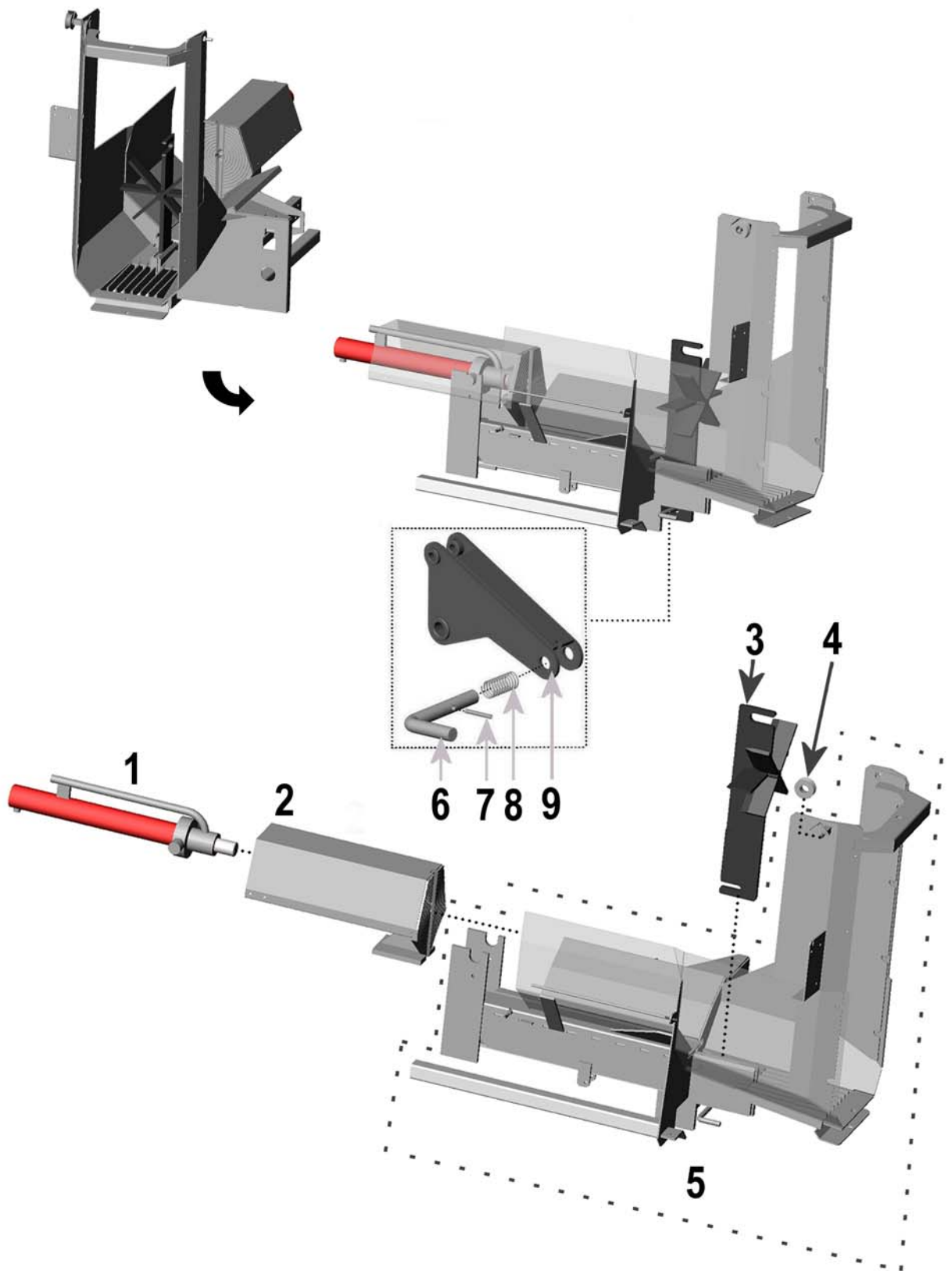


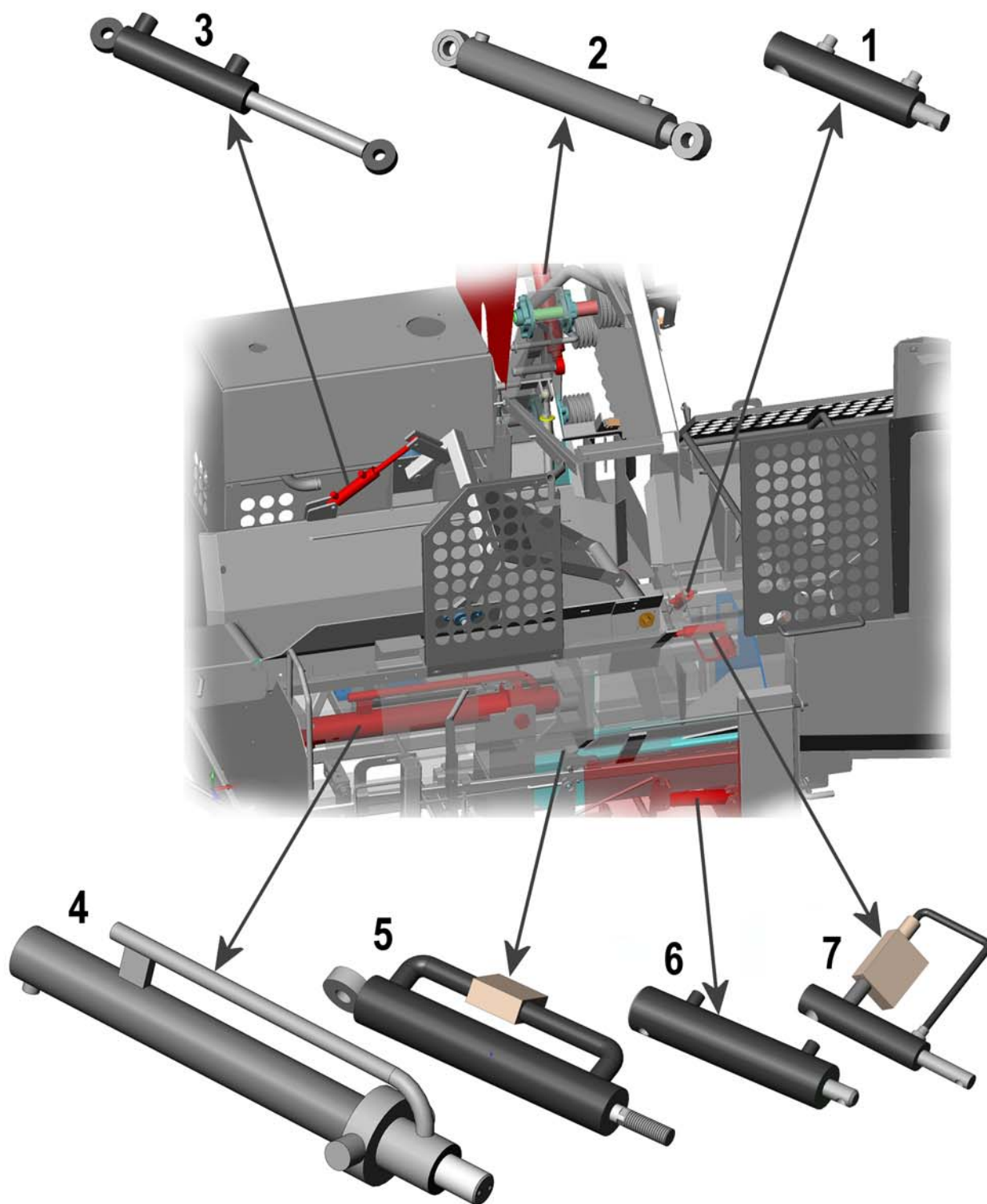
7





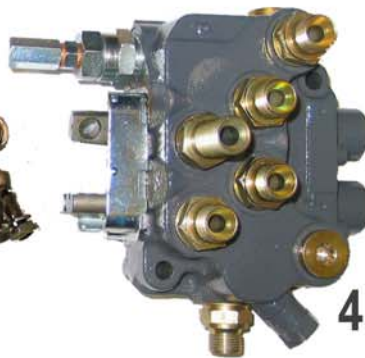
9



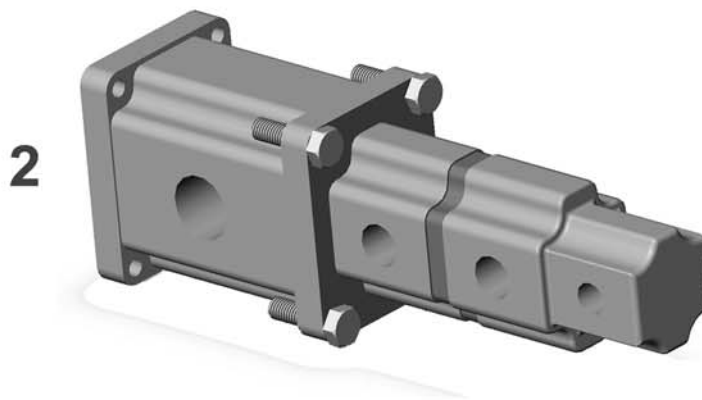
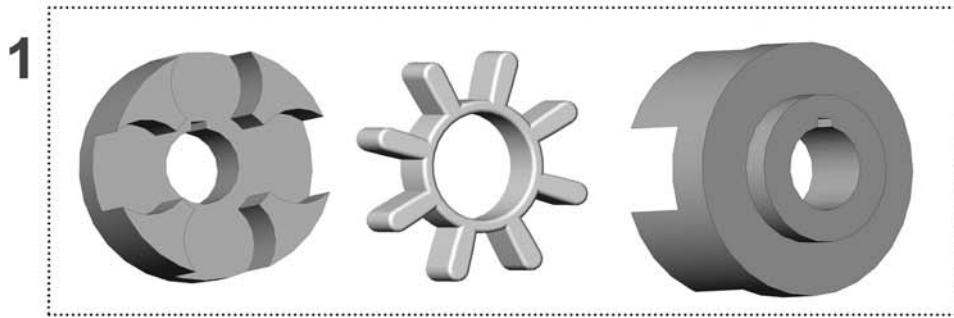




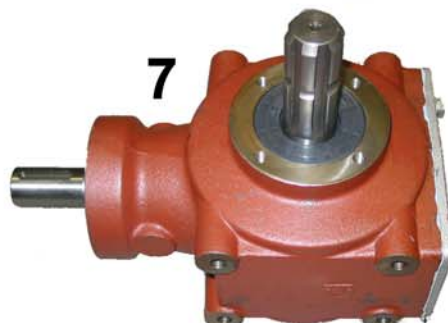
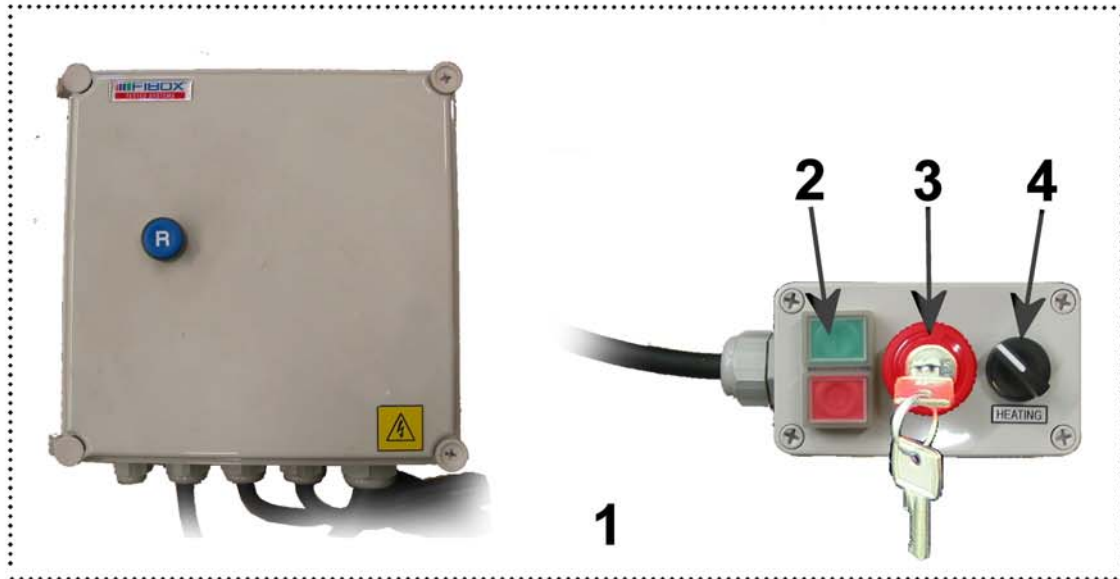
DO6DE2BACCX080001



12

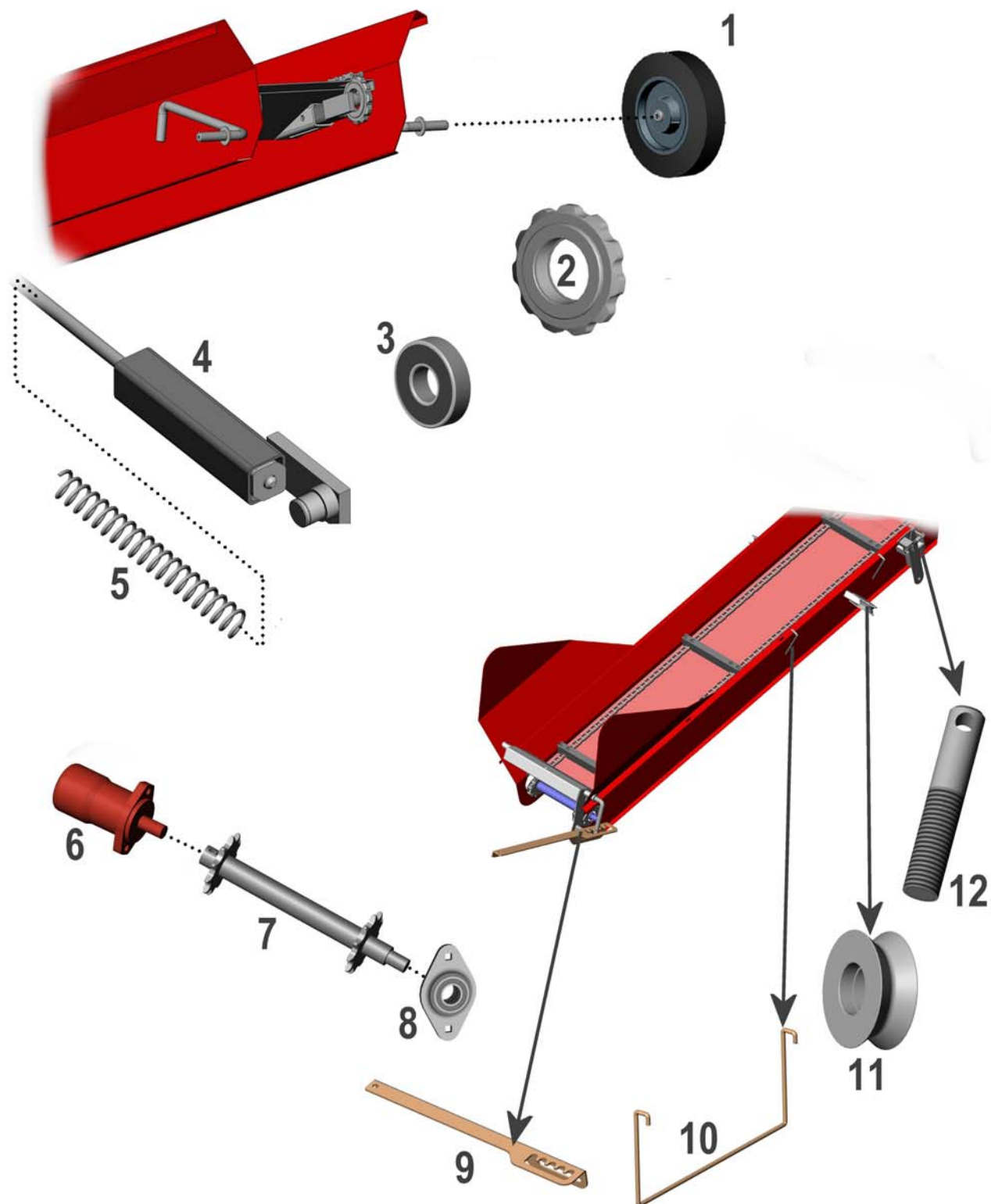


13

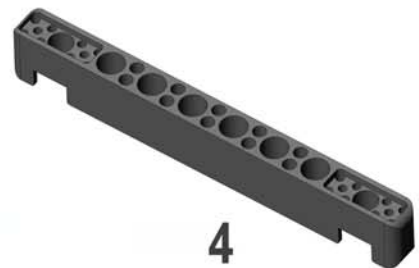
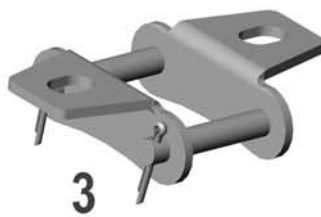
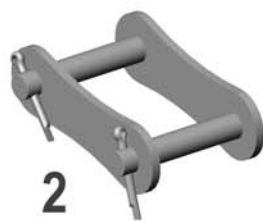
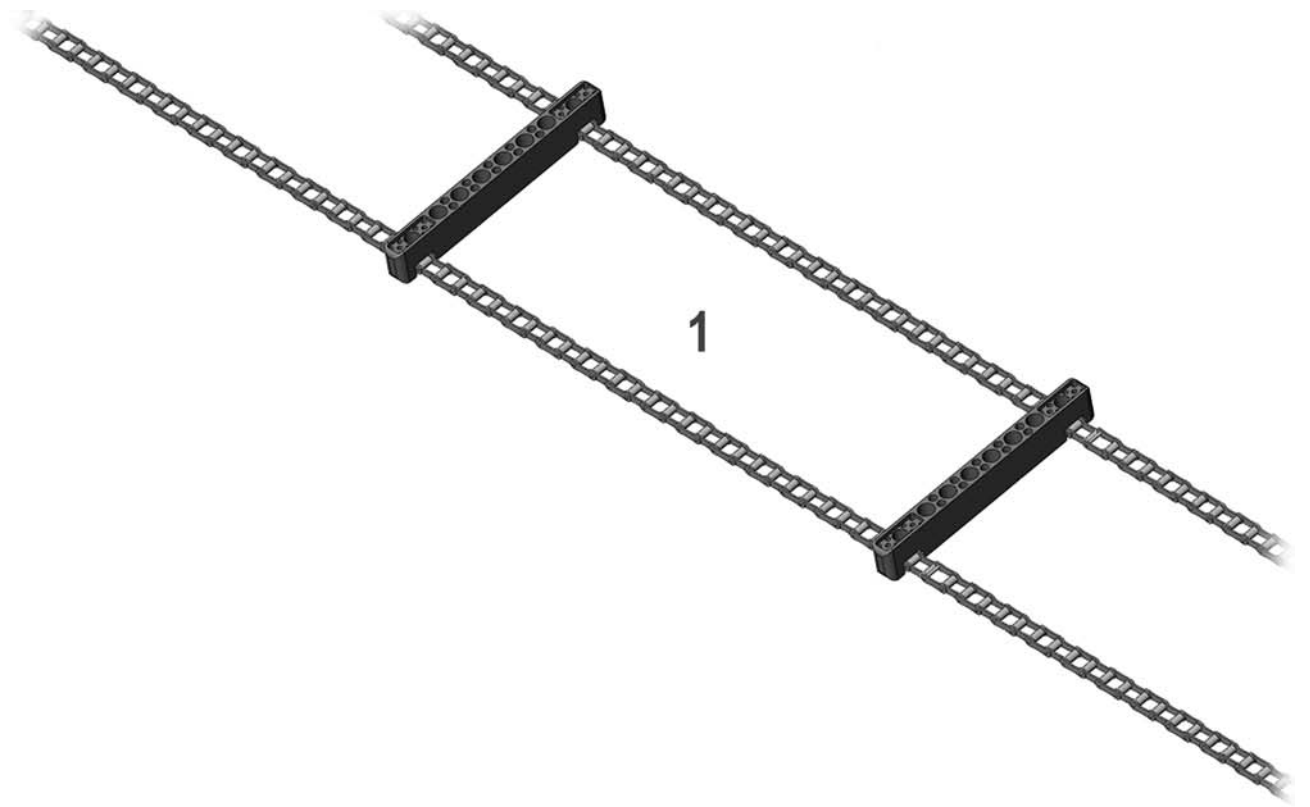




15



16



Pict.	Part	Code	Name
1	1	10020002	Oil reservoir
1	2	L10086010	Rear plate, upper
1	3	L10043010	Rear plate
1	4	YO330EP200/2-3/0	Belt, in-feed conveyor
1	5	10076001	Roller shaft
1	6	10019001	Extension table roller
1	7	6304.2RS	Bearing 6304
1	8	K10023010	Roller shaft
1	9	L10004010	In-feed table extension
1	10	1002001	Extension table leg
1	11	OVX009143A	Keel roller
2	1	10030001	Blade housing
2	2	10070001	Rear housing
2	3	OHOMP100/OHOMP125	Gerotor OMP100/125
2	4	OLUCP205	Bearing
2	5	10029001	Splitting frame
3	1	10039001	Door
3	2	10005001	Protective net
3	3	L10085010	Extension, front net
3	4	L10008010	Extension, trough
3	5	L10047010	Rear cover
3	6	L10034010	Blade nut wrench
3	7	10083001	Wedge for net
3	8	10026001	Sawdust trough
4	1	10030001	Blade housing
4	2	L10091010	Front cover
4	3	L10045010	Front plate, left
4	4	L10078010	Centre cover
4	5	L10079010	Front plate, right
5	1	100101001	Stop lever
5	2	OVA725	Wire
5	3	L100100010	Lock
5	4	10015001	Clamp
5	5	K10012010	Clamp roller
5	6	OLUCF205	Bearing
5	7	BPFL205	Bearing, plate housing d25
6	1	10006002	Log-stop
6	2	K10026010	Guide
6	2	K10026010	Guide
6	3	10009001	Blade beam
6	4	JAF16	Joint end
6	5	ORM16130	Thread rod
6	6	10066001	Spring guide
6	7	OJP	Spring
7	1	UCFC208	Bearing
7	2	100100010	Blade shaft
7	3	10016001	Tightener
7	4	O10054010	Drive belt pulley
7	5	O10058010	Drive belt pulley
7	6	K10011010	Main shaft
7	7	O10055010	Drive belt pulley
7	8	O10056010	Drive belt pulley
7	9	10080001	Tightener
7	10	O10054010	Drive belt pulley
7	11	OVSPA1757	Drive belt, el. Motor/Angular gear

Pict.	Part	Code	Name	
7	11	OVSPA1800	Drive belt, blade beam	
8	1	10060001	Launch lever	
8	2	10042001	Turn lever	
8	3	10044001	Valve lever	
8	4	10053001	Launch rod	
8	5	OJP2520130	Launch spring	
8	6	10049001	Launch plate	
8	7	10041001	Shaft	
8	8	10052001	Launch lever	
9	1	100-70-700/80-56-700	Cylinder	
9	2	10002001	Ram	
9	3	10022001	Splitting wedge 8	
9	4	K10121010	Idler	
9	5	10029001	Splitting frame	
9	6	K10039010	Lock pin	
9	7	OSJ06050DIN	Spring cotter	
9	8	OJP202565	Spring	
9	9	10038002	HTS	S:N 130-
10	1	32-20-40	Cylinder	
10	2	50-36-250	Cylinder	
10	3	1YT3220100	Cylinder	
10	4	100-70-700/80-56-700	Cylinder	
10	5	60-20-300LV	Cylinder, lock valve	
10	6	40-20-100	Cylinder	
10	7	32-20-40LV	Cylinder, lock valve	
10	8	JAF25	Joint end	
11	1	DO6DE5BACDZ180119	Valve, with 5 spools	
11	2	OHDO28601002	Rubber cover	
11	3	OHDO55513615R	Joystick, spare part kit	
11	4	DO6DE2BACCX080001	Valve, joystick	
11	5	DO6DE1BACDZ180195	Valve, log-stop	
11	6	DO6DR1BFCCZ180220	Valve, main	
11	7	DO6DT1031/2000029	Ball valve, closing	
11	8	DO6DT1031/2000029	Ball valve, closing	
12	1	OH4848GG	Clutch assembly	
12	2	MLPS/G351+208+208+144C	Pump assembly	
12	3	OHFIO180/3	Filter assembly	
13	1		Automatic starter	
13	2		Start/Stop switch	
13	3		Emergency stop switch	
13	4		Heater switch	
13	5		Electric motor 15kW	
13	6		Connector 63Ah	
13	7		Angular gear	
			Conveyor	
15	1	OYP25050	Wheel	
15	2	K2606011	Idler wheel	
15	3	6205.2RS	Bearing 6205	
15	4	2603001	Wheel holder	
15	5	OJP5530340	Spring	
15	6	OHOMP80	Gerotor OMP80	
15	7	10104001	Drive shaft	
15	8	UCFL205	Bearing	
15	9	L10048010	Locking lever	
15	10	K10122010	Chain holder	

Pict.	Part	Code	Name	
15	11	K10121010	Idler	
15	12	K10116010	Pin	
16	1	OK100S32	Chain assembly incl. scrapers	
16	2	OK70001U	Locking piece	
16	3	OK70002U	Scraper fitting	
16	4	K10107010	Scraper	